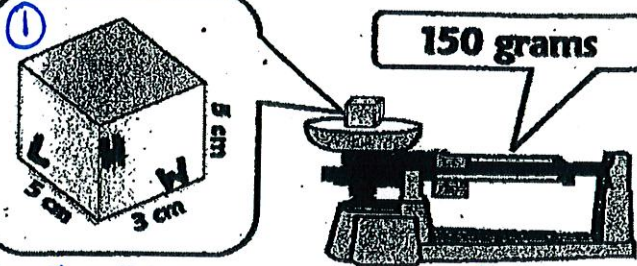


given

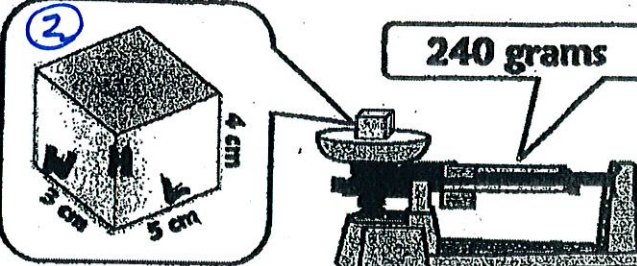
Density of a Substance... $D = M \div V \rightarrow V = L \times W \times H$

Directions: Calculate the DENSITY of each substance.

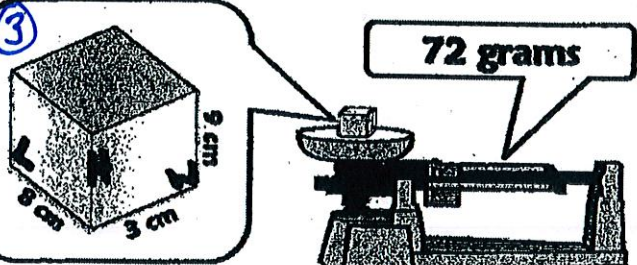
① 

$V = 5 \times 3 \times 5 = 75 \text{ cm}^3$ $\frac{150 \text{ g}}{75 \text{ cm}^3}$

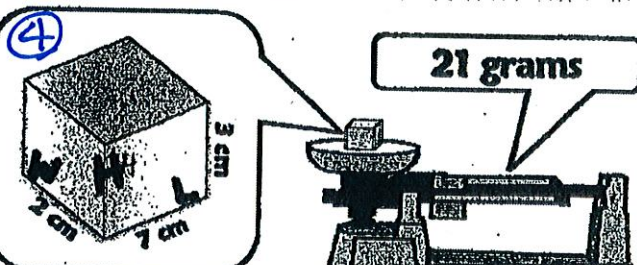
Density = 2.0 g/cm³

② 

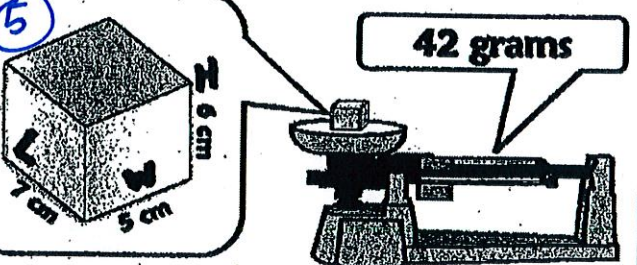
Density = _____

③ 

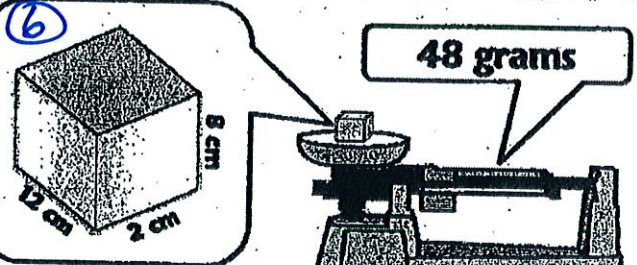
Density = _____

④ 

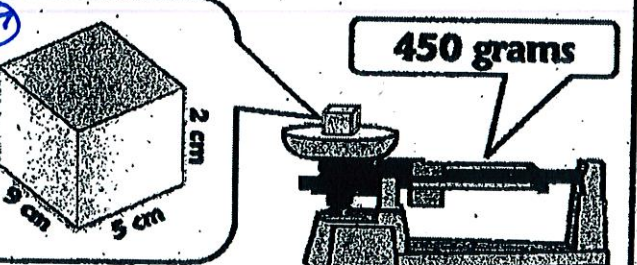
Density = _____

⑤ 

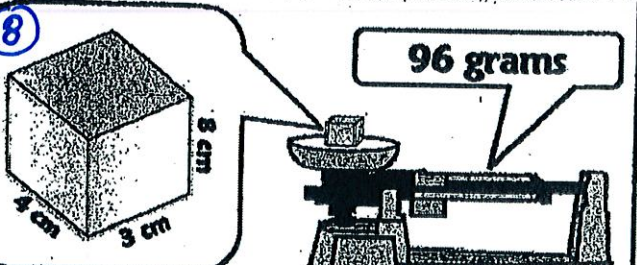
Density = _____

⑥ 

Density = _____

⑦ 

Density = _____

⑧ 

Density = _____